

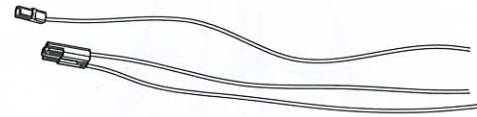
Please consult a qualified electrician for hanging fixture and wiring.

**CAUTION:** Before starting the installation, disconnect removing the fuse at the fuse box. Carefully unpack and identify all parts before assembly.

**CAUTION:** Always disconnect power at the main electrical panel before installation.

### Surface mount Installation instruction

#### Accessories



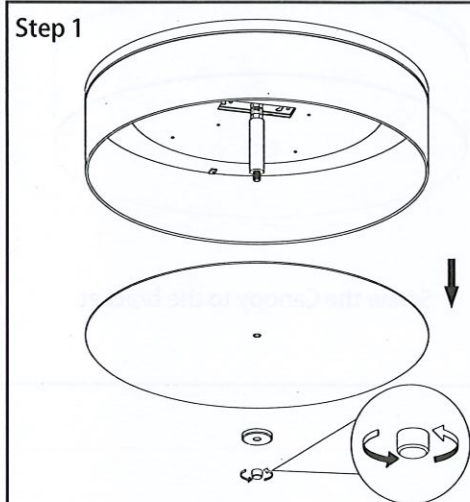
WIRES WITH CONNECTORS



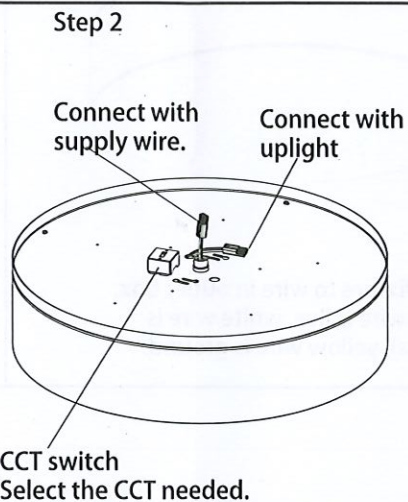
SCREWS



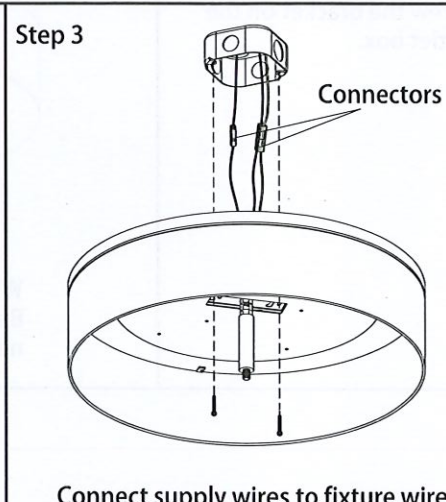
WIRE NUTS



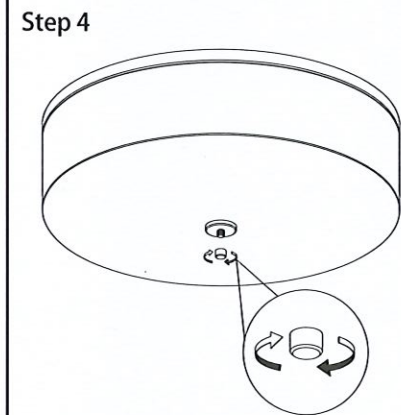
Step 1  
Unscrew the knob, and remove the lens.



Step 2  
Connect with supply wire. Connect with uplight.  
CCT switch  
Select the CCT needed.  
(2700KK/3000K/3500K/4000K/5000K)



Step 3  
Connect supply wires to fixture wires with the connectors wire provide.  
(please reference the wiring guide.)



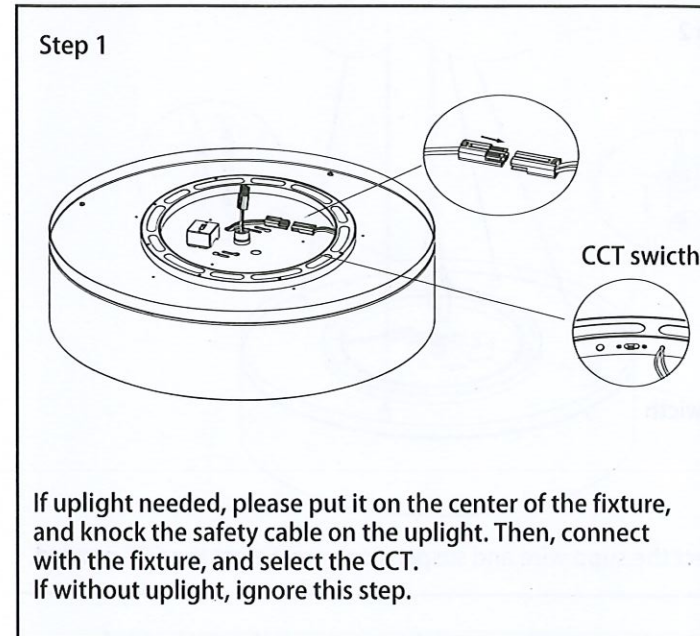
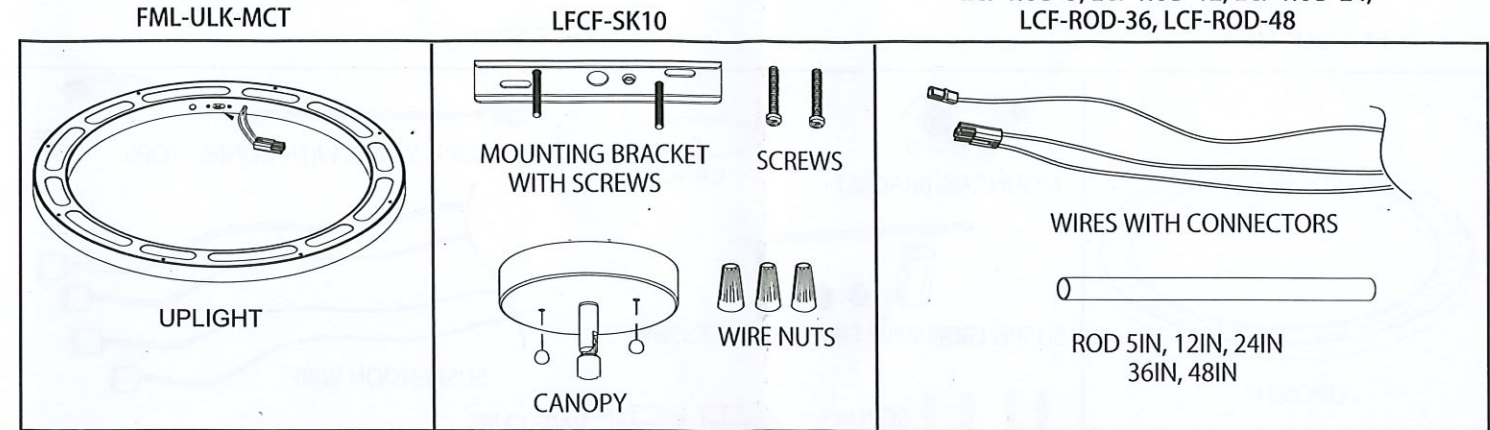
Step 4  
Screw and Secure the Lens.

#### WIRING GUIDE

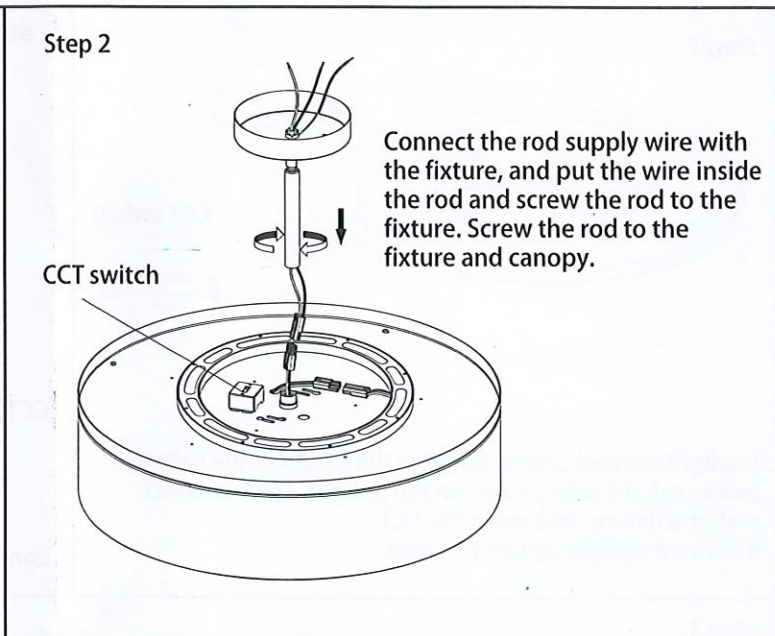
SUPPLY WIRE	FIXTURE WIRE
WHITE (NEUTRAL)	WHITE (NEUTRAL)
BLACK (HOT)	BLACK (HOT)
GREEN/YELLOW (GROUND)	GREEN/YELLOW (GROUND)

### Rod Suspension installation Instruction

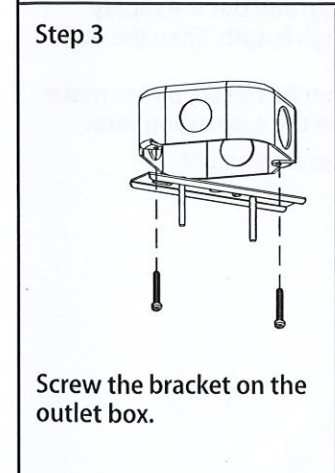
Accessories - (Sold separately)



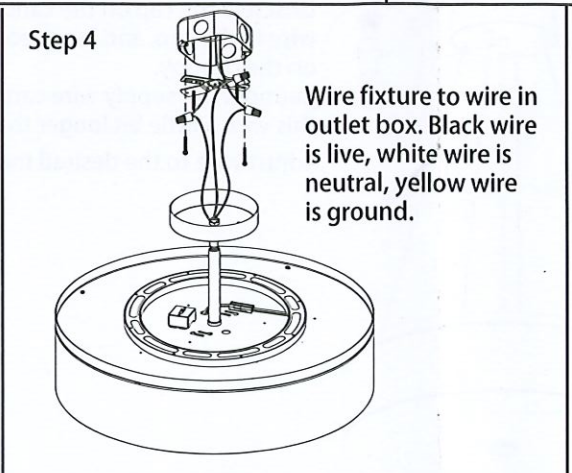
Step 1  
If uplight needed, please put it on the center of the fixture, and knock the safety cable on the uplight. Then, connect with the fixture, and select the CCT.  
If without uplight, ignore this step.



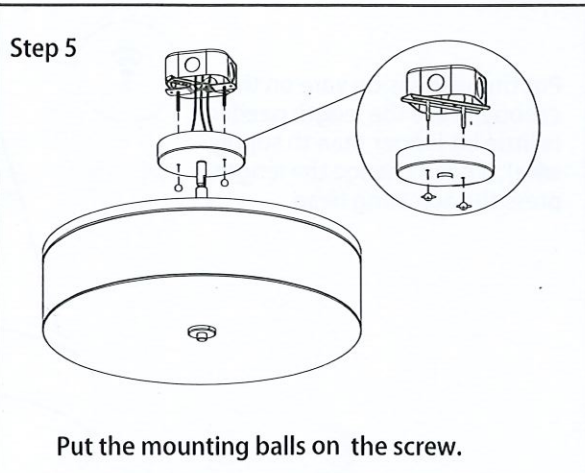
Step 2  
Connect the rod supply wire with the fixture, and put the wire inside the rod and screw the rod to the fixture. Screw the rod to the fixture and canopy.



Step 3  
Screw the bracket on the outlet box.



Step 4  
Wire fixture to wire in outlet box. Black wire is live, white wire is neutral, yellow wire is ground.



Step 5  
Put the mounting balls on the screw.



**Wire Suspension Installtion Instruction**

Accessories - (sold seperately)

